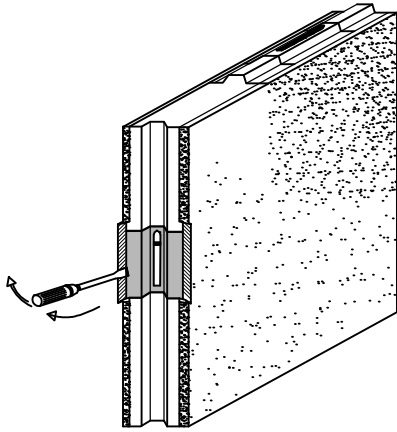
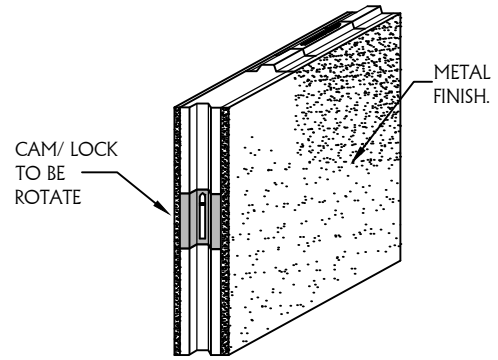


STEPS TO REVERSE CAM/ LOCK



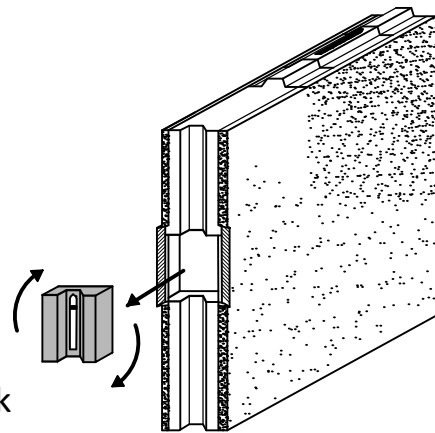
STEP - 1

Use a flat head screw driver to open the metal on each side of the cam-lock.



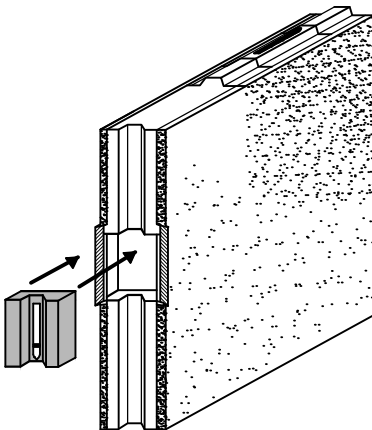
STEP - 2

Insert screw driver in the center of the cam-lock to extract cam-lock & Rotate cam-lock 180°.



STEP - 3

Insert cam-lock back into the panel.



STEP - 4

Close metal to cover cam-lock. Use a flat surface (Example: 2x4 & a hammer) for a smooth edge finish.

